

QDP33

Ultra Super Low pressure

Industry's first specification!

Ultra super low pressure range

0~10Pa

Minimum setting unit

0.01Pa

High accuracy

±1.5%FS

Industry's smallest class

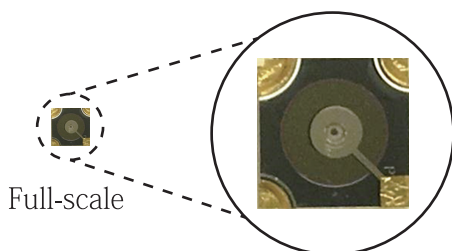
30×30mm



◎ It detects the slightest fluctuations in the air that cannot be felt by humans.

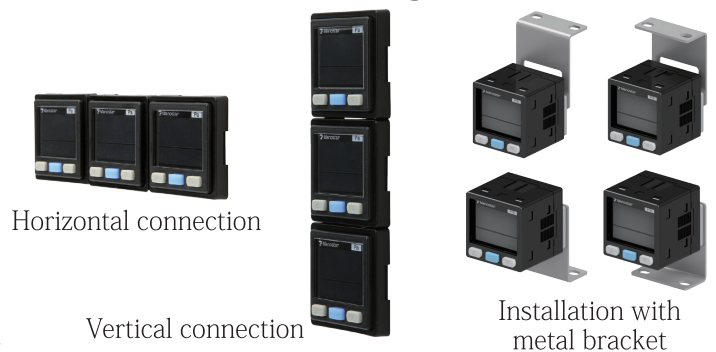
◎ Ideal for measuring room pressure in clean rooms and negative pressure rooms in compliance with CDC guidelines.

Equipped with a proprietary MEMS sensor device.



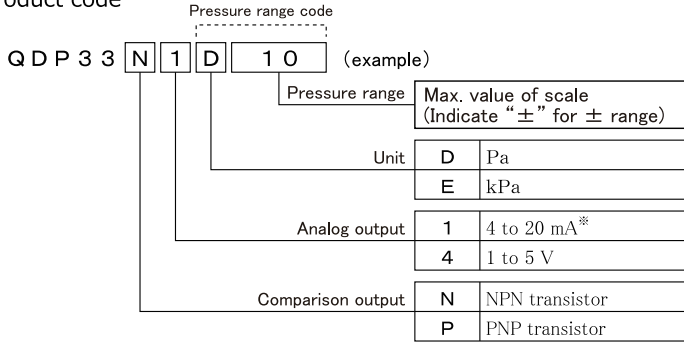
High accuracy at ultra micro differential pressure is achieved by eliminating the effect of temperature change on the output.

Contributes to space saving of equipment and facilities with various mounting methods.



SPECIFICATIONS

Product code



【Pressure Range】

Pressure range code	Rated pressure range	LCD display
D 10	0 ~ 10 Pa	0.00 ~ 10.00
D 25	0 ~ 25 Pa	0.00 ~ 25.00
D +-10	-10 ~ +10 Pa	-10.00 ~ 10.00
D +-25	-25 ~ +25 Pa	-25.0 ~ 25.0

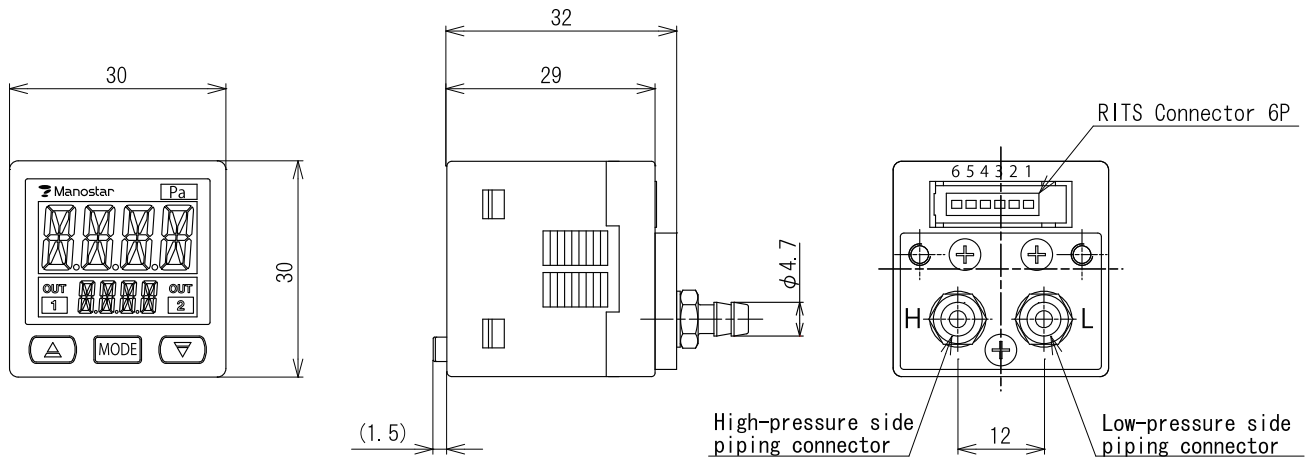
※4 to 20mA will start selling in 2021.

【Specifications】

Pressure measuring method	Measuring differential pressure	Display	Main display 12 segments LCD (White or Red) 4 digits Sub display 12 segments LCD (Orange) 4 digits Accuracy ± 1.5 % FS ± 1 digit (at 23 °C) Temperature characteristic ± 0.15 % FS/°C (zero + span)
Gas to be measured	Air or non-corrosive gas (not liquid)		
Sensor method	Electrostatic capacitance type		
Installation position	On vertical wall only	Insulation resistance	Between each terminal and case : 10 MΩ or more (500 V DC megger)
Medium and ambient temperature	0 to 50 °C (no freezing)	Comparison output	Setting method Push type of digital setting Output display Red LCD×2 Output type QDP33N NPN transistor open collector : Two channels QDP33P PNP transistor open collector : Two channels
Ambient humidity	35 to 85 % RH (no dewing)		
Withstanding pressure of instrument body	10kPa		
Withstanding pressure of receiving element	10kPa	Analog output	Accuracy ± 1.5 % FS (at 23 °C) Temperature characteristic ± 0.15 % FS/°C (zero + span)
Connector	RITS Connector 6P (TE Connectivity)	Pressure inlet	M5 internal thread Product with metal barb connector Applicable piping : I.D.4
Power supply voltage	12 to 24 V DC ± 10 % (with a ripple 10 % or less)	Current consumption (at supply voltage 24V)	Normal mode : 25mA or less Low power consumption mode : 20mA or less ※Current consumption of analog output and comparison output are not included.
Connector polarity	Pressure side mark indicated on the pressure inlet that high side is H and low side is L.	Mass	30g approx.
Protection degree	Standard IEC60529 IP-code IP 40	Conformed standards	RoHS Directive, UL Standards
Zero adjustment	Push type auto zero (both display scale and analog output adjust zero point at the same time)		
Material of the outer case	PBT and polyamide		
Accessories	Nil ※Please purchase the following accessories as needed. Plug connector : 1473562-5 Cable with connector : CAB-RITS5-15 Front panel adaptor : ADP33-31 Back panel adaptor : ADP33-B Metal bracket : BRKT-QDP		

OUTLINE

※Refer to instruction manual for other sizes.



- The specifications and description of the product explained in this leaflet may be subject to change without prior notice because of modification and the like.
- The contents are as of April 2021.

Contact Us

▷ TEL

078-621-7000

▷ E-MAIL

eigy@manostar.co.jp

Our website.

<http://www.manostar.co.jp/>

Sole Agent  **Manostar co.,LTD.**

1-2-3, Nishi-shiraike-cho, Nagata-ku, Kobe, Hyogo 653-0031 JAPAN
TEL. +81(78)-621-7000 FAX. +81(78)-621-7788

Manufacture  **Yamamoto Electric Works Co., Ltd.**

1-2-3, Nishi-shiraike-cho, Nagata-ku, Kobe, Hyogo 653-0031 JAPAN
TEL. +81(78)-631-6000 FAX. +81(78)-631-6020